



*DuoTex*TM



DuoTexTM Texture Sprayer

MTS200
18962

104 S. 8th Ave.
Marshalltown, IA
Phone 800-888-0127 / 641-753-0127
Fax 800-477-6341 / 641-753-6341
www.MARSHALLTOWN.com

INTRODUCTION

Congratulations on your purchase of MARSHALLTOWN's DuoTex™ Texture sprayer. Packed full of innovative features, the DuoTex™ is a powerful machine, capable of spraying many different textures. Six different nozzle sizes allow for the spraying of a variety of patterns including orange peel, knockdown, and splatter. The DuoTex™ can also be used to apply mud to walls and ceilings, allowing for the hand finishing of stomp, crow's foot, Level 5, skim coats, and a variety of other patterns. The machine can also be used as a stand alone air compressor to power pneumatic tools on the job site.

Unlike most competitors, your DuoTex™ sprayer has separate air and mud controls to dial in the perfect spray pattern. Powered by a 5.75 CFM compressor, along with a 2.6 GPM material delivery pump, the DuoTex™ sprays any texture quickly and evenly.

Through years of research, development, and field testing with experts, MARSHALLTOWN has created a texture sprayer with a host of features never seen on a sprayer in its class. Among those are:

- A large 16 gallon hopper that is easy to clean and has a sealable lid to keep mud fresh between jobs
- Flat free tires with swivel front caster for easy transportation and mobility on the job site
- A built-in mud pan holder to store your pan while wiping walls
- Durable powder coated finish for years of use
- Comfortable material gun with 2-finger trigger pull

This owner's manual provides the information needed to operate and maintain this MARSHALLTOWN sprayer. Carefully read and follow all safety and operating instructions in this manual. Ensure every operator of this sprayer reads this manual before operating the unit. The replacement of any part on this sprayer by other than the manufacturer's authorized replacement part may adversely affect the performance, durability or safety of the product.

Be sure safety precautions are observed. Read and follow all safety and operating instructions in this operator's manual. The manufacturer reserves the right to make changes on or add improvements to its product at any time without prior notice or obligation. The manufacturer reserves the right to decide, upon its sole discretion and at any time, to discontinue this product.

This manual covers all MARSHALLTOWN DuoTex™ models and options. For technical questions or repair parts, please call MARSHALLTOWN customer service at 1-800-888-0127, 641-753-6341 or visit www.MARSHALLTOWN.com.

TABLE OF CONTENTS

Safety Precautions	4
Safety Decals	5
Warranty	5
Specifications	6
Common Components.....	7
Assembly	8-9
Material Nozzle Installation and Selection.....	10
Sprayer Cleaning.....	11
Removing the Hopper.....	12
Replacing Pump Hose.....	12
Breaking in a New Pump Hose.....	13
Using the Unit as an Air Compressor	13
Parts Breakdowns	14-23
Troubleshooting	24-25
Maintenance	26

SAFETY PRECAUTIONS



• DANGER or  WARNING safety signs are located near specific hazards.



• General precautions are listed on CAUTION safety signs.

CAUTION!

• This notation appears before warnings in the text. It means that the step that follows must be carried out to avoid the possibility of personal injury or death. These warnings are intended to help the technician avoid any potential hazards encountered in the normal service procedures. We strongly recommend that the reader takes advantage of the information provided to prevent personal injury or injury to others.

THE FOLLOWING PRECAUTIONS ARE SUGGESTED TO HELP PREVENT ACCIDENTS. A CAREFUL OPERATOR IS THE BEST OPERATOR. MOST ACCIDENTS CAN BE AVOIDED BY OBSERVING CERTAIN PRECAUTIONS. READ AND TAKE THE FOLLOWING PRECAUTIONS BEFORE OPERATING THIS EQUIPMENT TO HELP PREVENT ACCIDENTS. EQUIPMENT SHOULD BE OPERATED ONLY BY THOSE WHO ARE RESPONSIBLE AND INSTRUCTED TO DO SO.

- Read all operating and maintenance instructions before operating or servicing the sprayer.
- A sprayer is only as safe as its operator. Give complete and undivided attention to the operation of the sprayer.
- Know how to stop the sprayer instantly.
- Always have all guards and safety devices attached and in place before operating sprayer.



NEVER operate sprayer with engine guards off.

- Keep inexperienced and unauthorized people away from the sprayer at all times.
- Never leave the sprayer unattended while it is running.
- Shut off sprayer and disconnect the electric motor from the outlet before making any adjustments or putting hands or tools in the motor compartment.



NEVER reach into the motor compartment while the sprayer is running.

- Keep the sprayer in good operation condition. Loose or damaged parts are dangerous.
- Avoid loose clothing that could get caught in moving parts.



Keep hands and feet away from moving parts.

- Keep all warning, caution and safety instruction labels in good condition. Replace missing, damaged or illegible labels.
- Clear the work area around the machine to prevent tripping or falling onto the sprayer.
- Operate on level ground to prevent the sprayer from tipping over.
- DO NOT OPERATE this sprayer under the influence of alcohol or while taking medication that impairs your reactions.
- Do not pull the cord to disconnect it. Keep the cord away from heat, oil, and sharp edges.
- Use factory authorized parts for replacement.
- Wear safety glasses when sprayer is in use.
- With electric motors, properly grounded electric circuit is required to protect the operator from possible electric shock.



NEVER unplug the motor while standing in or around wet ground.

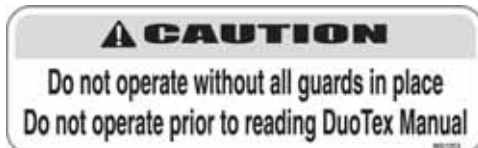
- Unplug power cord when cleaning sprayer with water.
- Always turn off the machine while changing gun nozzles and accessories, or when disconnecting it from the air or mud hoses.
- Only operate the sprayer with the supplied gun, Part Number MTS200G.
- Wear proper protective clothing while operating sprayer, including eye, ear, clothing, and respirator.
- Handle all solvents and cleaning agents with care and follow manufacturer's instructions on safety and disposal.
- NEVER use or store the sprayer with water or material in it when temperatures are below freezing (32°F).

SAFETY DECALS

If your safety and operating decals are damaged, they can be replaced by contacting Customer Service



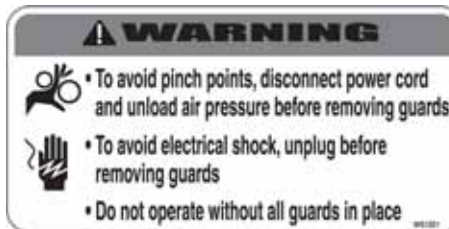
WS1252



WS1253



WS1250



WS1251



WS1254

WARRANTY

This product is warranted to the original purchaser only, to be free of defects in material and workmanship under normal use, for one year from purchase date. Marshalltown Company shall without charge for parts and labor, repair or replace such parts which are found to be defective. All transportation charges for replacement parts must be borne by the purchaser.

For warranty service, the product must be delivered, with proof of purchase date, to the dealer of original purchase, or any factory authorized service dealer. The delivery of the unit must be made no later than 30 days after the expiration of the warranty period.

If difficulty is encountered in having warranty work performed, contact the Customer Service Department.

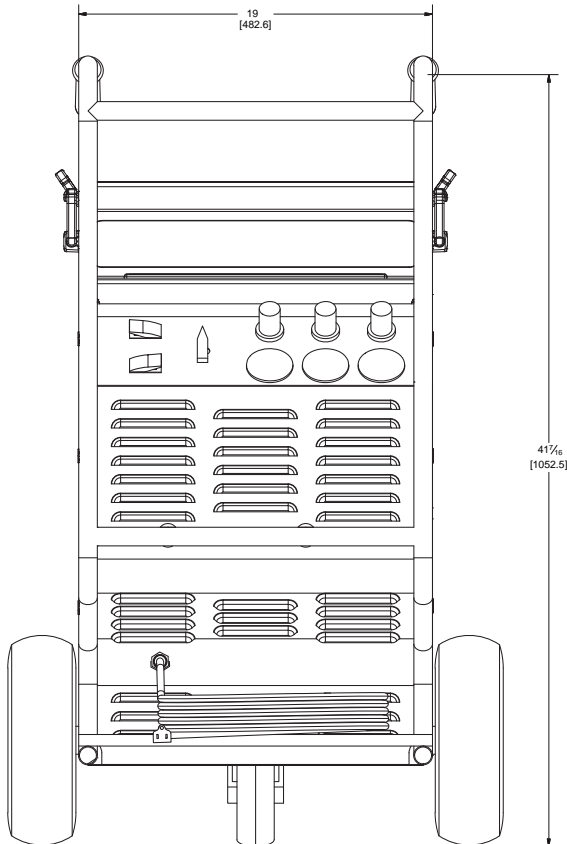
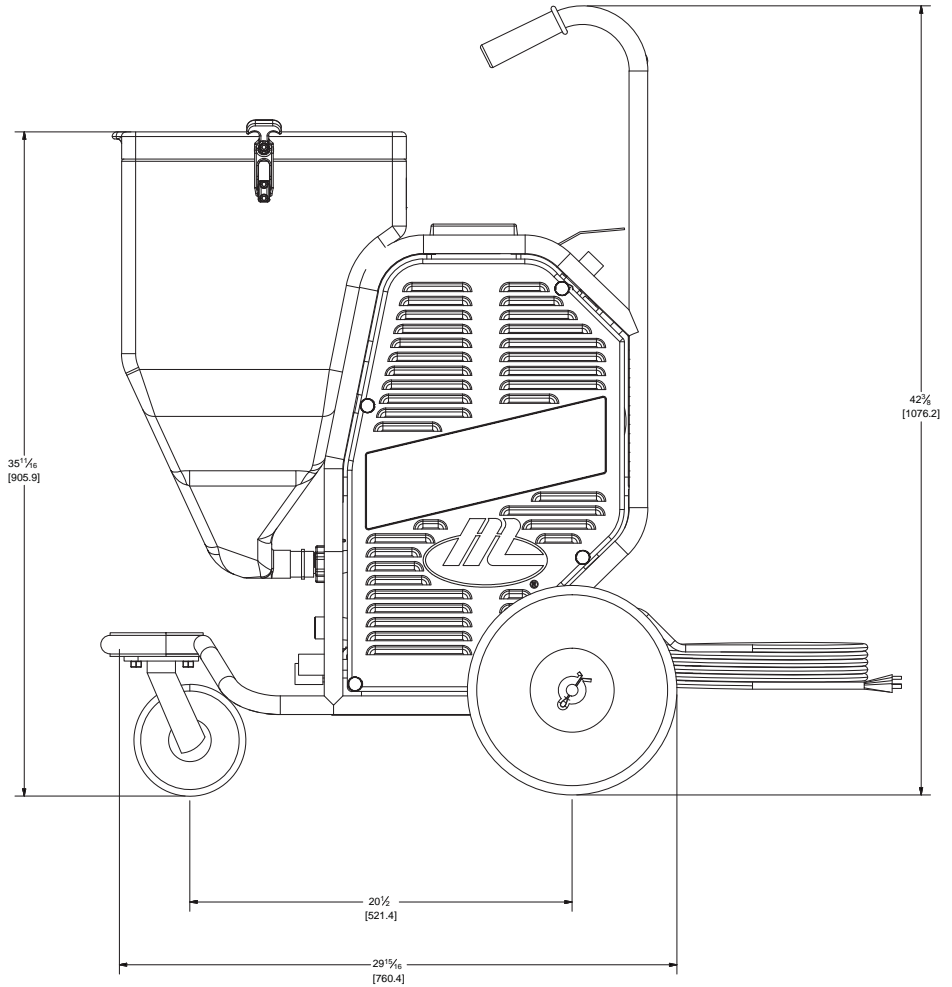
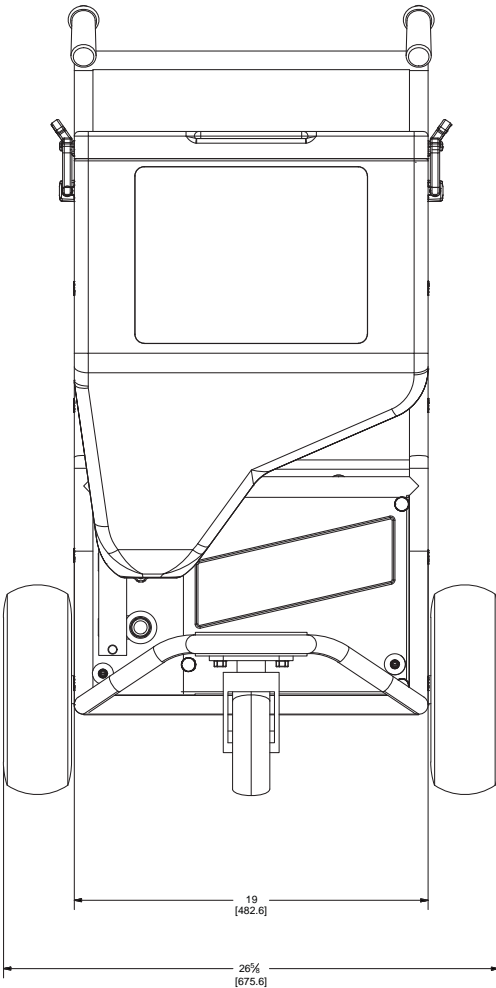
All implied warranties, including those of merchantability and fitness for a particular purpose, are limited to one year from date of purchase by the original retail customer and to the extent permitted by law any and all implied warranties are excluded and disclaimed after the expiration of such period.

Some states do not allow limitations on how long an implied warranty lasts, or the exclusion or limitations of incidental or consequential damages, so the above limitations or exclusions may not apply to you. This warranty gives you specific legal rights, and you may also have other rights, which vary from state to state.

Exclusion from this warranty:

1. All consequential damages, including pickup and delivery of the unit, communication, mileage charges and/or rental of a replacement unit during repairs are not covered under this warranty, or are any loss of income and/or other loss resulting from the failure of the product to function due to a warranty defect.
2. This warranty will not apply when the product becomes inoperative due to misuse, normal wear, neglect, improper maintenance, accident or freight damage; has not been operated and maintained in accordance with the instructions furnished in the Operator's Manual; or has been altered or modified without approval from the factory Service Department.
3. No parts or products are to be returned to the factory without prior written approval from the factory.

SPECIFICATIONS



Pump Power	2 HP
Pump Voltage	115V
Pump Amp Draw	11.5A
Pump Output	2.6 GPM
Compressor Output	5.75 CFM @ 40 PSI 3.00 CFM @ 90 PSI
Number of Nozzles	6
Nozzle Sizes (mm)	3, 4, 6, 8, 10, 12
Hopper Capacity	16 Gal
Hose Size	1" X 25'
Unit Weight	155 lbs.

COMMON COMPONENTS

1. On/Off Switch
2. Electrical Cord
3. Air mode selector
4. Air pressure gauge and regulator
5. Mud pressure gauge and regulator
6. Spray pressure and regulator
7. Prime Switch
8. Air hose coupler - spray
9. Air hose coupler - tools
10. Mud hose coupler
11. Removable sides
12. Pump
13. Water drain valve
14. Hopper
15. Removable lid
16. Lid tether
17. Lid locks
18. Handle bars (2)
19. Air/Material Hose
20. Gun
21. Gun Nozzles (6)
22. Front Caster
23. Rear Wheels (2)
24. Tip storage bag
25. Plastic slides (2)



ASSEMBLY

ATTACHING THE AIR HOSE TO THE MACHINE AND GUN:

Your sprayer has 2 different air hose coupler fittings on it. Connect the air hose with the female coupler to the spray gun. Then connect the male coupler on the air hose to the sprayer. Note, when using the DuoTex™ as a texture machine, you must connect the air hose to the coupler near the material hose coupler. (See Fig. 1)

When using the DuoTex™ as a stand-alone air compressor, connect the air hose to the coupler on the opposite side of the machine. (See Fig. 1)

ATTACHING THE MATERIAL HOSE TO THE MACHINE AND GUN:

Once the air hose is attached, screw the material hose on to both the gun and sprayer. The material hose has a threaded coupler that is located directly below the hopper. (See Fig. 1) Hand tighten firmly, and do not over tighten.



ATTACHING THE LID:

Attach the lid by placing it on the hopper and securing with the two rubber fasteners on the sides of the hopper. With the fasteners engaged, the lid seals tightly, helping to keep the drywall compound fresh while transporting the sprayer or storing over night, and between jobs. **The lid should NEVER be fastened down while spraying. Doing so may cause a vacuum to form inside the tank, thus reducing the efficiency of the sprayer.**

PRODUCT OPERATION, INSTRUCTION INFORMATION

SPRAYER OPERATION

SPRAYER PRIMING:

There are 2 ways to prime the unit.

First method is the self-priming method. Simply turn up the mud flow and release a small amount of air out of the gun. The ball valve on the gun will need to be slightly open to allow air flow. This will overcome the system's "slow start" mechanism and allow the unit to self-prime. Aiming your gun back into the hopper is a good way to keep your work area clean during the priming process.

Second method is using the prime switch (See Fig. 2). This is a similar method to the first, but allows the unit to prime without air going to the gun. Simply turn on the unit, make sure the mud flow and air flow are dialed slightly up. Using the ball valve at the gun, turn the air off at the gun. Press the prime button to allow the mud hose to prime. Hold the trigger on the gun closed and aim the gun into the hopper. Once the mud sprays into the hopper, the unit is primed. Release the prime button and begin using the sprayer.



NOTE: Prior to each new use (meaning the hopper is empty and refilled with a new batch of texture), the material hose needs to be moistened. This procedure cleans any debris out of the tank, hose and gun and also keeps the initial run of material from hardening in the hose. See next page.

To wet the hose:

1. Pour at least 1 gallon of clean water into the hopper.
2. Follow the same instructions for priming the unit, as explained in the "Sprayer Priming" above.
3. Once water is flowing freely from the gun back into to the hopper, discard the water into an empty bucket.
4. Continue to spray into the discard bucket until all water is expelled from the hopper and hose.

MATERIAL PRESSURE ADJUSTMENTS:

An important feature of the DuoTex™ is the ability to adjust the material and air pressures separately. This allows for the tuning of very precise texture patterns. The material (mud) pressure regulator is the middle of the three regulators on the control panel (See FIG. 4). This regulator has a lockable dial that needs to be pulled up to adjust. Once the dial is pulled up, turn clockwise to increase mud pressure or counter-clockwise to decrease mud pressure. Once the desired mud pressure is selected, pushing the dial back down will keep the unit running at a consistent pressure. 50 PSI is the maximum mud pressure.



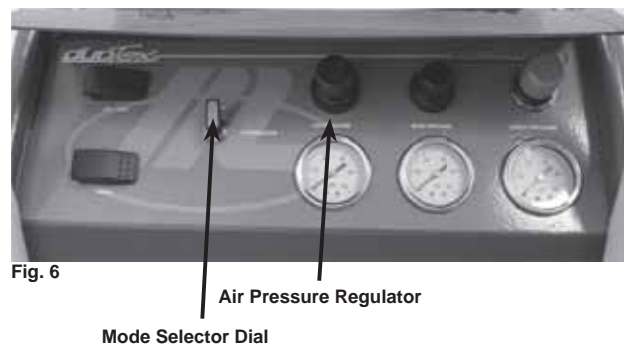
SPRAY PRESSURE ADJUSTMENTS:

This regulator increases/decreases the air pressure delivered to the gun when the unit is used as a texturing machine (See FIG. 5). This dial needs to be pulled up to be operated and pushed back down to lock it into place. After pulling up on the dial, turn clockwise to increase air pressure or counter clockwise to decrease pressure. Press the dial back down to lock in the pressure setting. The spray air pressure setting will have no effect on the material pressure setting.



AIR PRESSURE ADJUSTMENTS (WHEN USED AS AN AIR COMPRESSOR):

The DuoTex™ is capable of being used as a stand-alone air compressor to power pneumatic job site tools like nailers and staplers. To use as an air compressor, switch the Mode Selector dial from Spray to Compressor (See FIG. 6). Connect air hose to the coupler used for compressor mode Use the dial on the air compressor regulator, named "Air Pressure" to adjust the pressure of the compressor. This dial needs to be pulled up to be operated and pushed back down to lock it into place. After pulling up on the dial, turn the dial clockwise to increase air pressure or counter-clockwise to decrease pressure. Press the dial back down to lock in the pressure setting.



MATERIAL NOZZLE INSTALLATION AND SELECTION

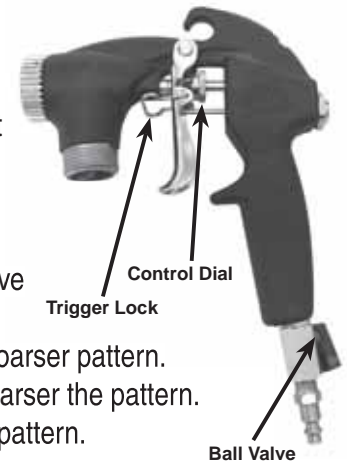
The DuoTex™ ships with six standard nozzle sizes: 3, 4, 6, 8, 10 and 12mm openings. The sprayer must be used with a spray nozzle at all times. To install a nozzle:

1. Make sure machine is switched off or unplugged from the wall.
2. Open ball valve on gun (vertical position) and wait for all excess air to escape the system. Close ball valve (horizontal position) once air stops coming out of the end of the gun.
3. If there is material in the hose, press the gun trigger while the gun is directly over the hopper (with lid off). This will allow any pressurized mud in the hose/gun to empty back into the hopper.
4. Unscrew nozzle retaining collar and remove nozzle (if previously equipped).
5. Replace with new nozzle, and reconnect retaining collar. Pull the trigger on the gun while screwing on the retaining collar to allow the nozzle to seat completely.

MATERIAL NOZZLE SIZE SELECTION:

A few general statements should be noted:

1. Always read and follow the spray material manufacturer's mixing instructions. If not specified in those instructions, the compound should be thoroughly mixed, free of lumps, and be the consistency of pancake batter.
2. Always set your pattern on scrap sheetrock before spraying your finished product. Note the compound consistency, orifice size, air pressure at the compressor, relative ball valve position, and trigger setting for future reference.
3. The more open the trigger, the more material that will be applied with a resulting coarser pattern.
4. The higher the air pressure, the finer the pattern; the lower the air pressure, the coarser the pattern.
5. The higher the air flow, the finer the pattern; the lower the air flow, the coarser the pattern.
6. Larger orifice openings will produce a coarser pattern than a smaller opening.
7. The position of the trigger controls the amount of material flow. As the trigger is pulled back, more material is allowed to feed through. Generally the distance between the air nozzle and the material nozzle should be slightly greater than the size of the selected orifice.



The gun on the DuoTex™ is intended to utilize a full trigger pull at all times. Adjusting the trigger flow control dial determines how far the air nozzle is pulled back. This allows for a more comfortable, full trigger pull. Use the trigger lock for reduced fatigue on larger projects.

NOZZLE & AIR PRESSURE RECOMMENDATIONS:

Texture Pattern / Material

Nozzle Size	Air Pressure	Fog	Orange Peel	Splatter/ Knockdown	EIFS	Stucco
3	HIGH	X	X			
4	MEDIUM TO HIGH	X	X			
6			X	X		
8			X	X	X	
10	HIGH			X	X	X
12				X	X	X

NOTE: These settings are only suggestions to get the sprayer set in the right range. There are several factors that might affect the results of the final texture pattern, including: length of hoses used, consistency of material, and material aggregate size.

SPRAYER CLEANING

The DuoTex™ has a sealable lid and is able to store unused material in-between uses for short periods of time. Materials that cure through exposure to the air (like drywall compound) can be stored in the hopper, but materials that chemically cure or contain portland cement (like stucco) **can't be stored in the hopper**, as they will cure without exposure to air.

MATERIAL STORAGE:

If material is to be stored in the hopper, always clean overspray material off the outside of the machine, hose, and the external gun body. Leave the nozzle and retaining collar attached to gun while in storage.



Never clean the outside of the sprayer while it is plugged in

- Always make sure the seals on the lid are in good shape
- Always engage the 2 lid fasteners on the side of the hopper
- Leave all hoses attached to the machine and the gun attached to the hoses

CLEANING THE HOPPER:

Always spray remaining texture into a waste bucket. Fill hopper with water and spray through gun (with nozzle off) into a waste bucket. Continue to spray until water exiting the gun is clean.

The tank and body of the sprayer can be cleaned with hot, soapy water and a nylon brush or sponge. Do not use wire or metallic brushes, especially on the inside of the hopper, as metal will chip the inside of the hopper. This will cause the gun to clog and pieces of plastic to enter the spray pattern.

CLEANING THE GUN:

Clean the gun in clean water, making sure all material is removed from the inside chamber of the gun. To do so, remove the gun from both the mud hose and air hose. Unscrew the nozzle retaining collar from the gun and remove the air nozzle. A nylon or soft brass cleaning brush can be used to remove material build-up from tight areas inside the gun, nozzle and collar. Always flush the gun and it's components with clean water after all material has been removed. Dry completely. MARSHALLTOWN offers a gun cleaning kit, part number 14285.

CLEANING THE MATERIAL HOSE:

The material hose can be cleaned with the supplied sponge cleaning ball. After cleaning the hopper follow these steps:

1. Remove gun from both hoses.
2. Remove the material hose from the sprayer and insert the cleaning ball into the material hose. Push the ball into the hose (at the material hose end), past the narrow part of the fitting.
3. Reconnect the material hose.
4. Fill the hopper with at least 2 gallons of clean water.
5. Put the discharge end of the material hose in a waste bucket.
6. Start the sprayer and use the prime button to allow the ball to pass through the hose, to clean the inside walls of the hose.
7. Repeat if necessary, using clean water. All water passing through the hose should be clean.



CLEANING THE SPRAYER:



WARNING!

Always make sure the sprayer is unplugged while cleaning its exterior body and frame. Final wipe should be with clean water and a soft cloth.

Warm soapy water and a nylon bristled scrub brush can be used to clean the exterior of the sprayer. Do not pressure wash or use a garden hose with a pressured nozzle. Doing so can force water into the electronics and controls of the sprayer, causing damage, malfunction and **risk of electrical shock**.

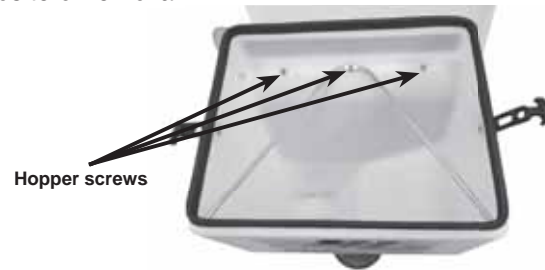
REMOVING THE HOPPER

The hopper can easily be removed for replacement, cleaning, or maintenance.

Unscrew the coupler that connects the material hose to the outlet of the hopper.

Simply remove the three screws on the inside of the hopper that connect it to its back rail. Note: There is no need to remove the bucket rest from the hopper, simply remove the screw holding it in place.

Your hopper is now ready for removal. Replacement is opposite of removal.

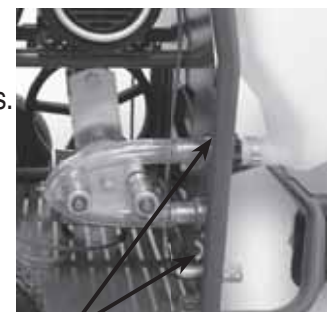


Hopper coupler

REPLACING PUMP HOSE

The DuoTex™ pump hose is easily replaceable in the field.

1. Make sure machine is off and unplugged.
2. Remove the material hose from the sprayer.
3. Remove the hopper from the machine. See “Removing Hopper” above for instructions.
4. Remove wing nuts that hold on pump hose retention plate.
5. Slide bottom hose fitting to the left and remove through the hole in the frame. Then repeat with upper fitting
6. Slide hose to the two open spots left by the removal of the retention plate, then pull the fittings back through the front of the frame.



Wing nuts for retention plate

Note: Reassembly is opposite of removal.

BREAKING IN A NEW PUMP HOSE

Once hose is replaced you will need to break it in.

1. Ensure all holes are securely fastened.
2. Pour hot water into hopper.
3. Turn mud pressure to approximately 40 psi.
4. Turn machine on.
5. Engage prime switch, pumping water out of the hose and back into the hopper.
6. Run in this fashion for 1-2 minutes.
7. Empty water.

USING THE UNIT AS AN AIR COMPRESSOR

Your DuoTex™ is capable of being used as a stand-alone air compressor to power pneumatic tools on the job site. It is capable of an air flow of 5.75 CFM @ 40 PSI, 3.00 CFM @ 90 PSI.

To operate as an air compressor:

1. Connect air hose powering pneumatic tool to air coupler for use as a compressor.
2. Turn selection dial on control panel to "compressor".
3. Adjust air pressure as desired using the dial labeled "Air Pressure". Pull up on the regulator knob to adjust. Once correct pressure is selected, push knob back down to lock it in place.



Air Hose Coupler - Tools

ELECTRICAL WIRING

Refer to the air compressor's serial label for the unit's voltage and amperage requirements. Use a dedicated circuit. For best performance and reliable starting, the air compressor must be plugged into a dedicated circuit, as close as possible to the fusebox or circuit breaker. The compressor will use the full capacity of a typical 15 amp household circuit. If any other electrical devices are drawing from the compressor's circuit, the compressor may fail to start. Low voltage or an overloaded circuit can result in sluggish starting that causes the motor overload protection system or circuit breaker to trip, especially in cold conditions.

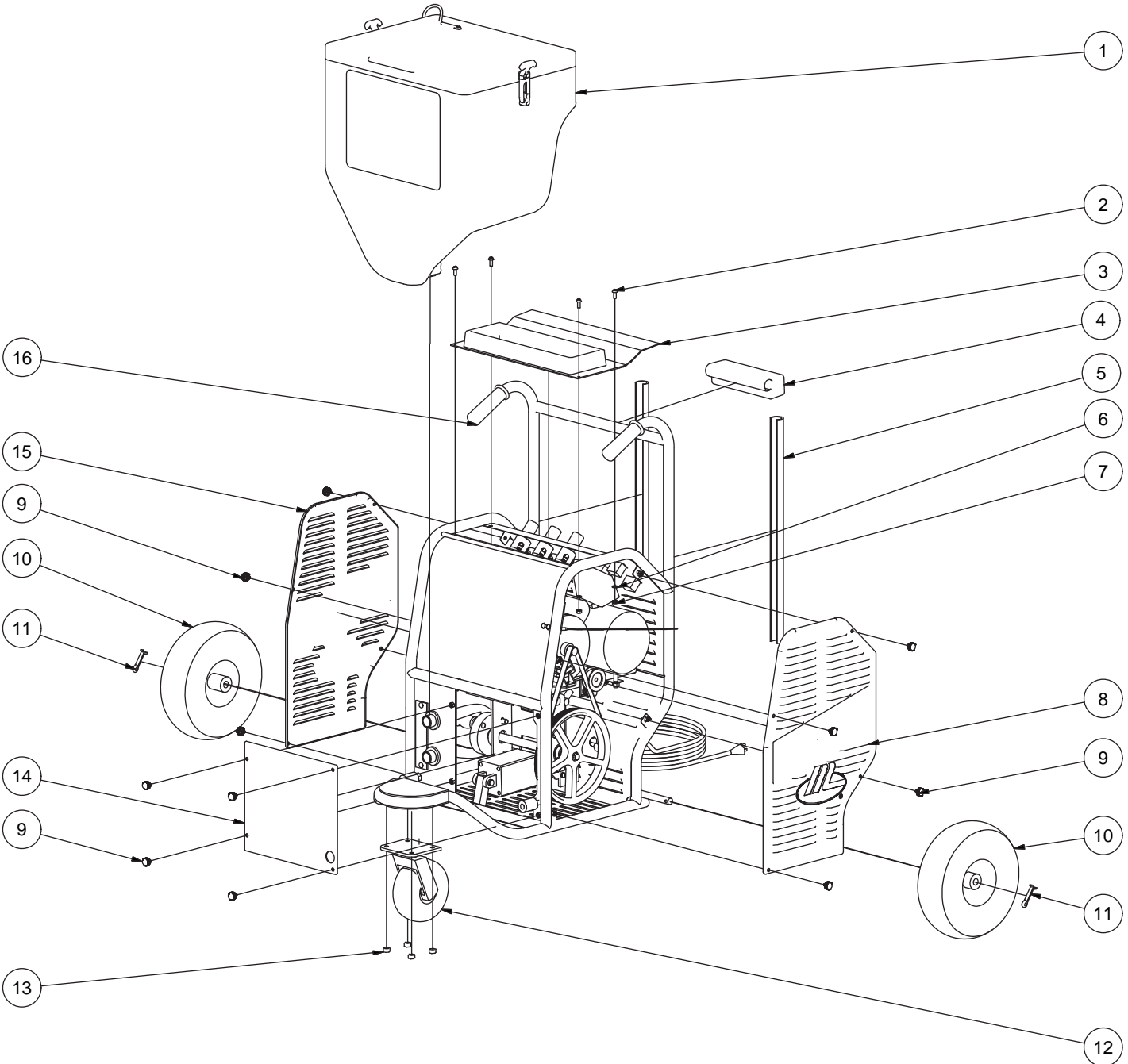
NOTE: A circuit breaker is recommended. If the air compressor is connected to a circuit protected by a fuse, use dual element time delay fuses (Buss Fusetron type "T" only).

EXTENSION CORDS & USING WITH A GENERATOR

NOTE: Avoid use of extension cords.

For optimum performance, plug the compressor power cord directly into a grounded wall socket, or a generator with a minimum rating of 15 amps and 7500 watts. Do not use an extension cord unless absolutely necessary. Instead, use a longer air hose to reach the area where the air is needed. If use of an extension cord cannot be avoided, the cord should be no longer than 50 feet and be a minimum wire size of 12 gauge (AWG). Do not use a 16 or 14 gauge extension cord. Use only a 3-wire extension cord that has a 3-blade grounding plug, and a 3-slot receptacle that will accept the plug on the product. Make sure your extension cord is in good condition. An undersized cord will cause a drop in line voltage, resulting in loss of power and overheating. The smaller the gauge number, the heavier the cord.

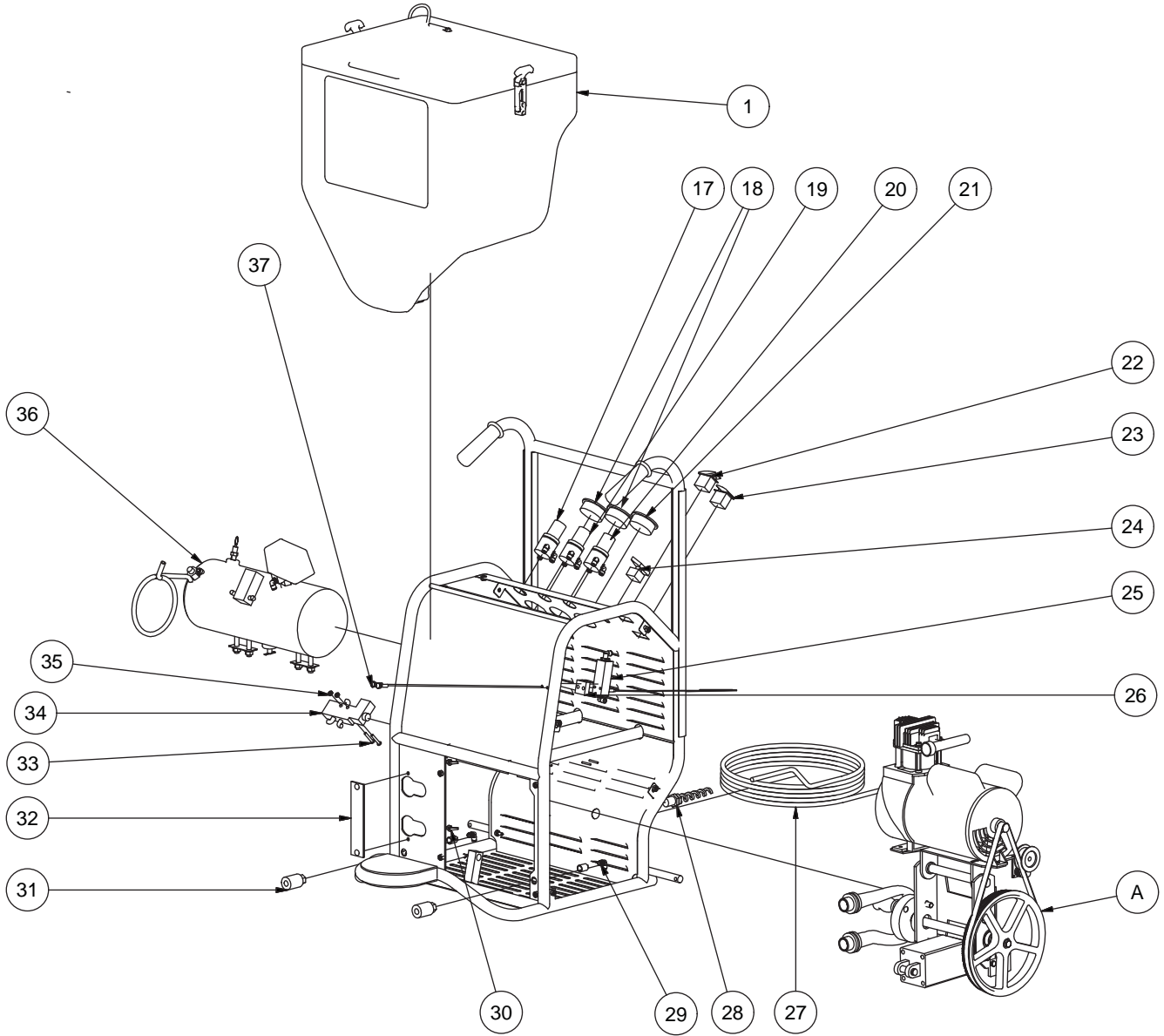
GUARDS/WHEELS ASSEMBLY



GUARDS/WHEELS ASSEMBLY PARTS FOR RE-ORDER

REF #	NAME	PART#	Quantity	Also Includes
1	MUD HOPPER ASSEMBLY	27696	1	38-55
2	1/4"-20 X 5/8" STAINLESS STEEL MACHINE SCREW	27697	4	6,7
3	GUARD, TOP W/HARDWARE	27698	1	2
4	BAG, SPRAY TIPS	27699	1	
5	RAIL SLIDE	27785	2	
6	1/4" LOCK WASHER - STAINLESS STEEL	27697	4	2,7
7	1/4"-20 NUT - STAINLESS STEEL	27697	4	2,6
8	GUARD, LEFT SIDE W/HARDWARE	27701	1	9
9	SCREW, THUMB	27702	12	
10	WHEEL W/HARDWARE	27703	2	11
11	1/4" COTTER PIN	27704	2	
12	CASTER W/HARDWARE	27705	1	13
13	3/8"-16 LOCKNUT	27706	4	
14	GUARD, FRONT W/HARDWARE	27707	1	9
15	GUARD, RIGHT SIDE W/HARDWARE	27708	1	9
16	GRIP, HANDLE	27795	2	

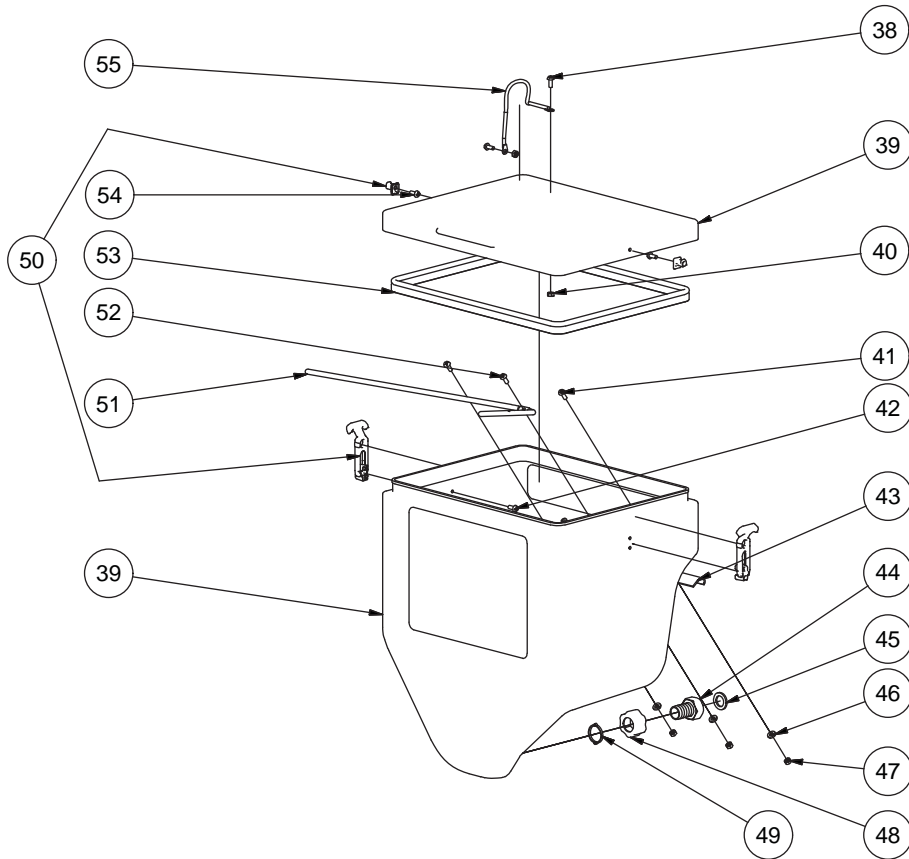
CONTROLS ASSEMBLY



CONTROLS ASSEMBLY PARTS FOR RE-ORDER

REF #	NAME	PART#	Quantity	Also Includes
17	RELIEF VALVE	27709	1	
18	GAUGE, 0-50	27713	2	
19	REGULATOR, 50 PSI	27710	1	
20	REGULATOR, 100 PSI	27711	1	
21	GAUGE, 0-100	27712	1	
22	ON/OFF SWITCH	27714	1	
23	PRIME SWITCH	27715	1	
24	BALL VALVE	27716	1	
25	FLOW BLOCK ASSEMBLY	27717	1	
26	SPACER - FLOW BLOCK	27742	1	
27	ELECTRICAL CORD	27718	1	
28	STRAIN RELIEF, CORD	27719	1	
29	COUPLER, AIR OUTLET	27720	2	
30	1/4"-20 WINGNUT	27721	2	
31	QUICK AIR COUPLER	27722	2	
32	RETAINING PLATE W/HARDWARE	27723	1	30
33	#8-32 X 1-1/2" MACHINE SCREW	27805	2	35
34	SOLENOID, CYLINDER W/HARDWARE	27724	1	33,35
35	#8-32 LOCK NUT	27805	2	33
36	AIR TANK ASSEMBLY	27726	1	83-93
37	BOLT - FLOW BLOCK	27725	2	

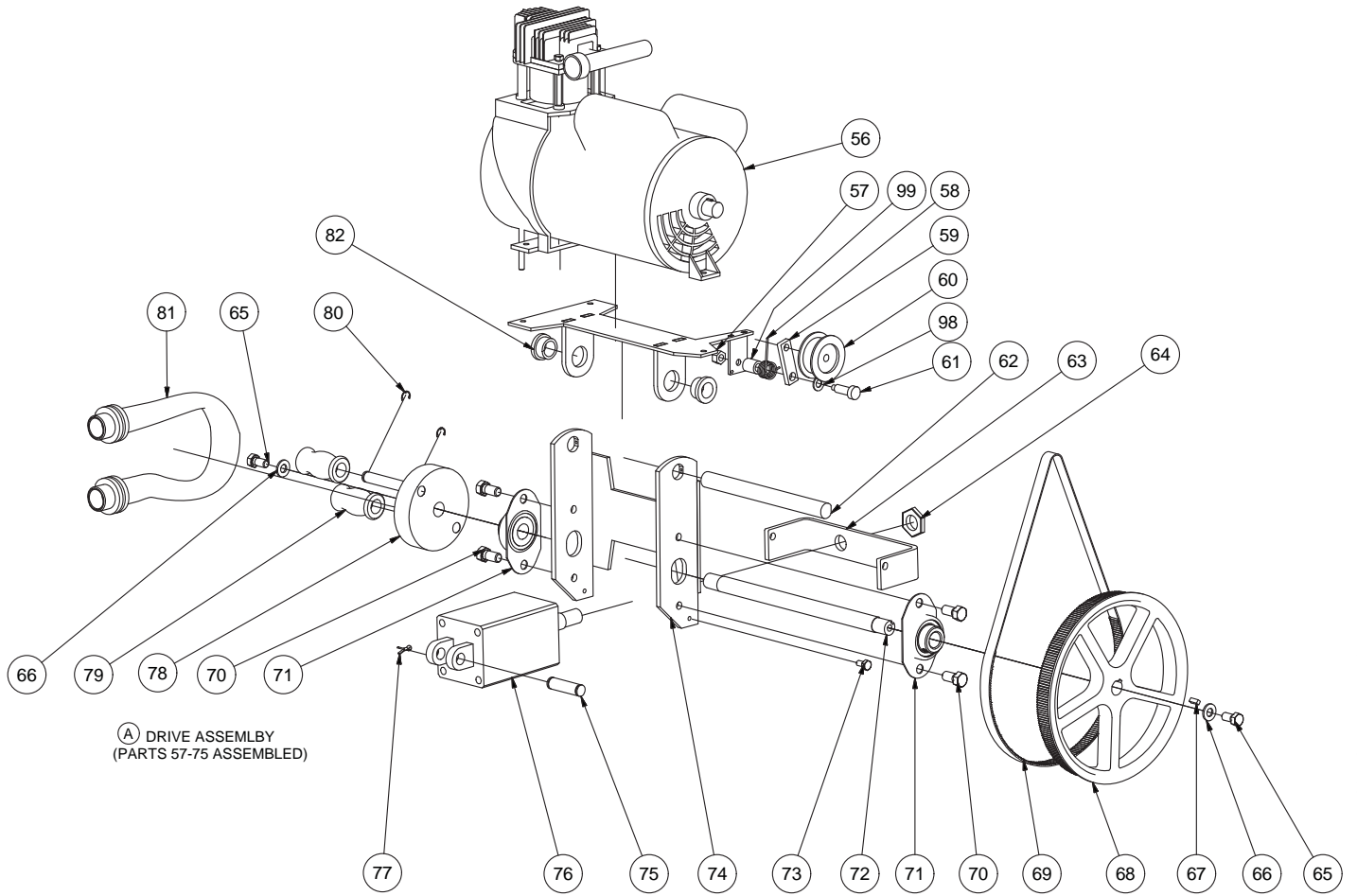
HOPPER TANK ASSEMBLY



GUARDS/WHEELS ASSEMBLY PARTS FOR RE-ORDER

REF #	NAME	PART#	Quantity	Also Includes
38	#10-24 X 1/2" MACHINE SCREW	27739	2	40,55
39	MUD HOPPER	27727	1	
40	#10-24 LOCKNUT	27739	2	38,55
41	1/4"-20 X 5/8" STAINLESS STEEL MACHINE SCREW	27728	2	46,47,52
42	#10-24 X 3/4" MACHINE SCREW	27735	6	50,54
43	BRACKET - HOPPER W/HARDWARE	27807	1	41,46,47,52
44	FITTING, BRASS - FEMALE	27730	1	48,49
45	O-RING, BRASS FITTING	27783	1	
46	1/4" LOCK WASHER - STAINLESS STEEL	27728	3	41,47,52
47	1/4"-20 NUT - STAINLESS STEEL	27728	3	41,46,52
48	GRIP - FITTING	27730	1	44,49
49	CLAMP - MUD HOPPER	27730	1	44,48
50	LATCH, HOPPER W/HARDWARE	27735	2	42,54
51	BUCKET REST W/HARDWARE	27736	1	46,47,52
52	1/4"-20 X 1" STAINLESS STEEL MACHINE SCREW	27728	1	41,46,47
53	SEAL - HOPPER	27738	1	
54	#10-24 X 3/4" MACHINE SCREW	27735	2	42,50
55	TETHER - HOPPER W/HARDWARE	27739	1	38,40

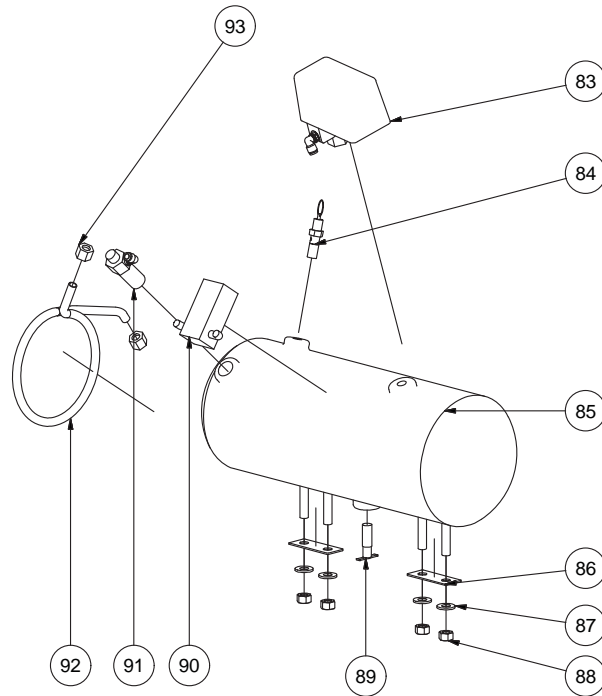
DRIVETRAIN ASSEMBLY



DRIVETRAIN ASSEMBLY PARTS FOR RE-ORDER

REF #	NAME	PART#	Quantity	Also Includes
56	COMPRESSOR/MOTOR	27743	1	
A	DRIVE ASSEMBLY	27740	1	57-75
57	5/16"-18 LOCKNUT	27746	1	58-61,98,99
58	SPRING - IDLER	27746	1	58-61,98,99
59	PIVOT - IDLER	27746	1	58-61,98,99
60	IDLER W/HARDWARE	27746	1	58-61,98,99
61	3/8" X 1" X 5/16"-18 SHOULDER BOLT	27746	1	58-61,98,99
62	SHAFT, PIVOT	27749	1	
63	BRACKET, CYLINDER	27750	1	73
64	NUT, LOCK - CYLINDER	27751	1	
65	3/8"-16 X 3/4" BOLT	27752	2	66,67
66	3/8" BOLT	27752	2	65,67
67	KEY - GEAR	27752	1	65,66
68	GEAR	27755	1	65,66,67
69	BELT	27756	1	
70	7/16"-14 X 3/4" BOLT	27757	4	
71	BEARING - DRIVE SHAFT	27758	2	70
72	DRIVE SHAFT	27759	1	
73	5/16"-18 X 1/4" X 1/4" SHOULDER BOLT	27760	2	
74	PIVOT ASSEMBLY	27761	1	
75	PIN - CYLINDER	27762	1	77
76	CYLINDER W/HARDWARE	27763	1	75,77
77	COTTER PIN - CYLINDER	27762	1	75
78	ROLLER MOUNT ASSEMBLY	27765	1	65,66,79,80
79	ROLLER W/HARDWARE	27766	2	80
80	E-CLIP - ROLLER	27770	2	
81	PUMP TUBE ASSEMBLY	27769	1	
82	BUSHING - PIVOT	27772	2	
98	IDLER WASHER	27746	1	58-61,99
99	IDLER SPACER	27746	1	58-61,98

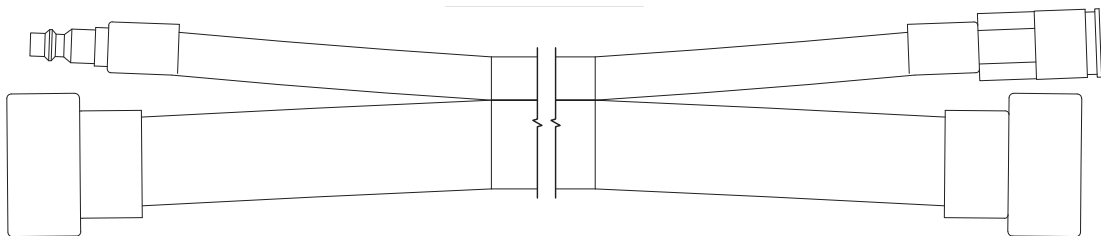
AIR TANK ASSEMBLY



AIR TANK ASSEMBLY PARTS FOR RE-ORDER

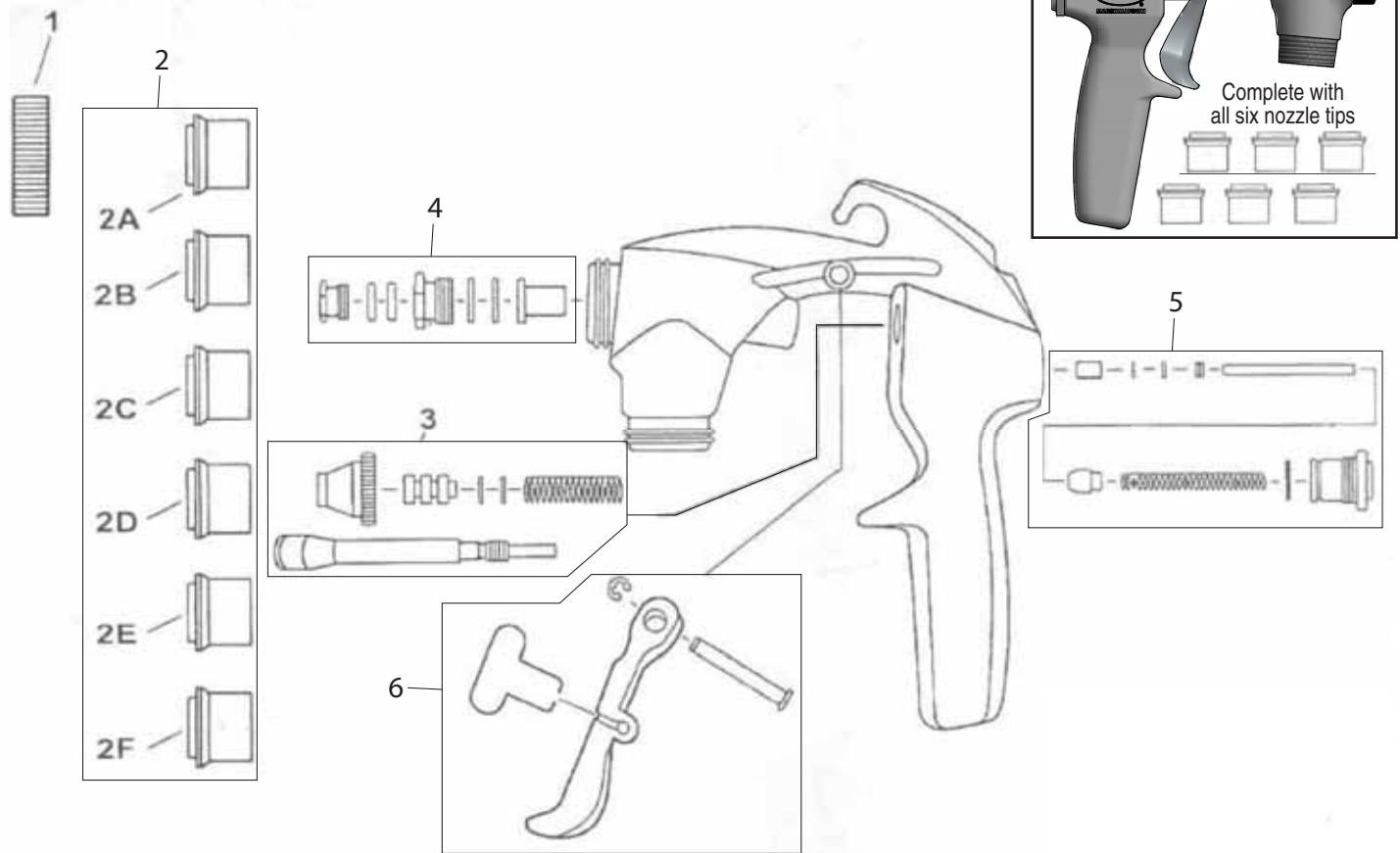
REF #	NAME	PART#	Quantity	Also Includes
83	PRESSURE SWITCH	27773	1	
84	SAFETY POP-OFF	27774	1	
85	AIR TANK	27775	1	
86	STRAP - AIR TANK	27776	2	87,88
87	3/8"-16 WASHER, LOCK - AIR TANK	27776	4	86,88
88	3/8"-16 NUT - AIR TANK	27776	4	86,87
89	DRAIN - AIR TANK	27779	1	
90	SOLENOID - RELIEF	27780	1	
91	CHECK VALVE - AIR TANK	27781	1	
92	TUBE, TRANSFER	27782	1	
93	FITTING - TRANSFER TUBE	27809	2	

HOSE ASSEMBLY



REF #	NAME	PART#	Quantity
94	HOSE ASSEMBLY - 25'	27811	1
95	HOSE ASSEMBLY - 50'	27812	1
96	HOSE ASSEMBLY - 100'	27813	1

GUN ASSEMBLY



GUN ASSEMBLY PARTS FOR RE-ORDER

REF #	NAME	PART#	Quantity
N/A	GUN ASSEMBLY - COMPLETE W/SIX NOZZLES	27814	1
1	REPLACEMENT RETAINING CAP - MTS200G	27827	1
2	REPLACEMENT NOZZLES (ALL) - MTS200G	27784	6
2A	REPLACEMENT NOZZLE 3MM - MTS200G	27836	1
2B	REPLACEMENT NOZZLE 4MM - MTS200G	27843	1
2C	REPLACEMENT NOZZLE 6MM - MTS200G	27700	1
2D	REPLACEMENT NOZZLE 8MM - MTS200G	27729	1
2E	REPLACEMENT NOZZLE 10MM - MTS200G	27741	1
2F	REPLACEMENT NOZZLE 12MM - MTS200G	27747	1
3	REPLACEMENT PLUNGER KIT - MTS200G	27828	1
4	MUD SEAL REPLACEMENT KIT - MTS200G	27767	1
5	AIR SEAL REPLACEMENT KIT - MTS200G	27768	1
6	TRIGGER REPLACEMENT KIT - MTS200G	27764	1

TROUBLESHOOTING

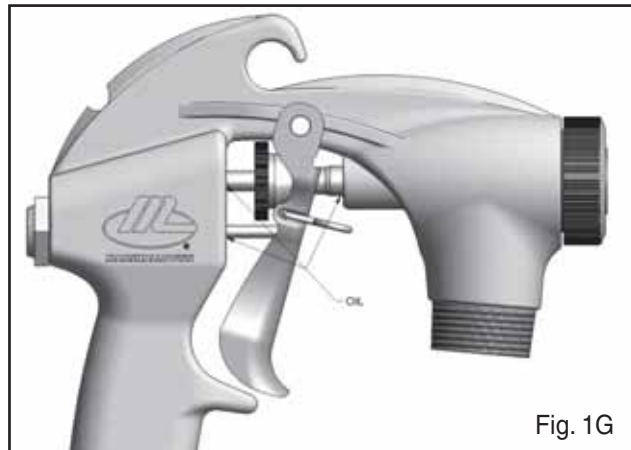
PROBLEM	CAUSE	SOLUTION
Machine won't turn on	Not plugged in	Plug in sprayer
	Incorrect extension cord	See "Extension Cords and Using with a Generator" guidelines on page 13.
	Maximum tank pressure reached	Ensure sprayer is in "Spray Mode" and lower "Spray Pressure" regulator (counter-clockwise).
	Power switch bad	Please call customer service.
	Other electrical problem	Please call customer service.
	Under-rated circuit breaker	Ensure machine is plugged into a 15 amp circuit minimum.
	Relief solenoid valve malfunction (compressor hums)	Please call customer service.
Sprayer shuts off	Incorrect extension cord	See "Extension Cords and Using with a Generator" guidelines on page 13.
	Pressure switch engaged	Pressure will return with air pressure drops below 95 PSI, or when switched to "Spray Mode."
	Motor overheated	Ensure proper extension cord is being used. If problem persists, please call customer service.
	Under-rated circuit breaker	Ensure machine is plugged into a 15 amp circuit minimum.
Sprayer won't pump mud/ not enough delivered	Mud pressure set too low	Turn "Mud Pressure" regulator up (clockwise).
	In "Compressor Mode"	Place unit in "Spray Mode."
	Pump air locked	Prime pump tube with water or thin mud.
	Air tank drain open	Close air tank drain on bottom of tank.
	Mud hardened in tank/pump tube	Clean out dried mud. May be necessary to remove or replace pump tube.
	Belt broken	Replace belt.
	Pump tube worn out	Replace pump tube.
	Air flow sensor malfunction	Please call customer service.
	Gun clogged	Disassemble and clean gun thoroughly. If problem persists contact customer service.
	Bad regulator (air won't adjust)	Please call customer service.
	Spray hose connected to "Compressor Outlet"	Plug hose into "Spray Outlet."
	Internal air leak	Check for air leaks. Call customer service if needed.
Drive train damaged	With the sprayer unplugged, check that all fasteners are tight and parts spin freely in bearings.	

TROUBLESHOOTING

PROBLEM	CAUSE	SOLUTION
No air pressure/insufficient air flow (Spray Mode)	Air pressure set too low	Turn "Spray Pressure" regulator up (clockwise).
	Ball valve on gun closed	Open ball valve on gun
	In "Compressor Mode"	Place unit in "Spray Mode."
	Air tank drain open	Close air tank drain on bottom of tank.
	Plugged into "Compressor Outlet"	Plug hose into "Spray Outlet."
	"Compressor Outlet" is flowing air	Remove hose from compressor outlet. Replace outlet coupler if damaged.
	Internal air leak	Check for air leaks. Call customer service if needed.
	Damaged compressor	Please call customer service.
	Gun air channel blocked	Disassemble and clean gun thoroughly. If problem persists contact customer service.
	Air flow sensor malfunction	Please call customer service.
	Bad regulator (air won't adjust)	Please call customer service.
No air pressure/insufficient air flow (Compressor Mode)	Air pressure set too low	Turn "Air Pressure" regulator up (clockwise).
	Air tank drain open	Close air tank drain on bottom of tank.
	Plugged into "Spray Outlet"	Plug hose into "Compressor Outlet."
	Internal air leak	Check for air leaks. Call customer service if needed.
	Damaged compressor	Please call customer service.
	Ball valve on tool closed (if applicable)	Open ball valve
Leaking mud	Hose fitting loose	Tighten hose fittings.
	Hose fitting washer worn	Replace hose fitting washer.
	Gun leaking	Disassemble and clean gun thoroughly. If problem persists contact customer service.
	Pump tube is worn	Replace pump tube.
	Hose or tank is damaged	Replace damaged part.

MAINTENANCE SCHEDULE

ACTION	FREQUENCY
OILING THE GUN (Fig. 1G)	EVERY USE
DRAINING THE AIR TANK	EVERY 40 HOURS
INSPECTING HOSES FOR WEAR	EVERY 100 HOURS
PUMP ROLLERS	CHECKED FOR SMOOTH SURFACE AND FREE ROTATION WHEN PUMP HOSE IS REPLACED
BELT WEAR	EVERY 40 HOURS
GREASE POINTS	WHEELS AND CASTERS



Lubricate with spray gun lube. Do not use oil with silicone or petroleum distillates

NOTICE: Record the model and serial numbers in the spaces provided.

Product Model Number: _____

Product Serial Number: _____

Engine/Motor Model Number: _____

Engine/Motor Code Number: _____

Purchase Date: _____

Dealer Purchased From: _____

Dealer Address: _____

Dealer Phone Number: _____



104 S. 8th Ave.
Marshalltown, IA
Phone 800-888-0127 / 641-753-0127
Fax 800-477-6341 / 641-753-6341
www.MARSHALLTOWN.com