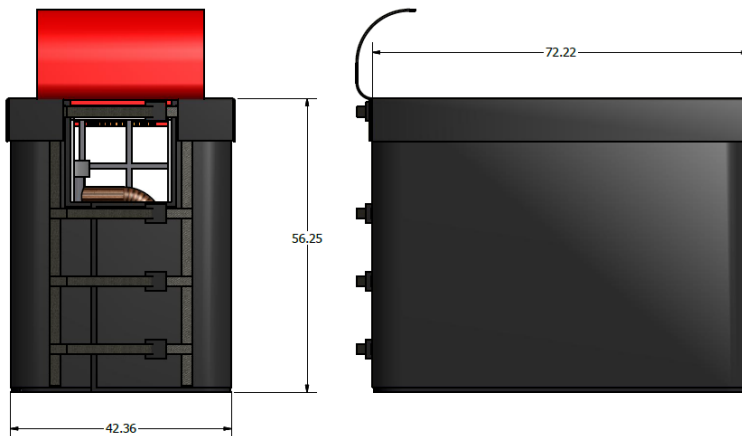
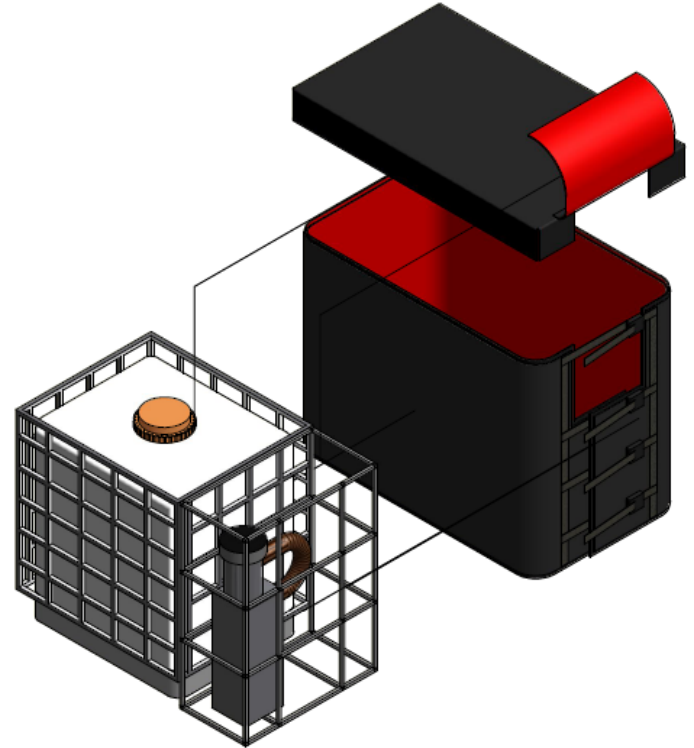


HEATED DEF TOTE BLANKETS

Flexotherm™ manufactures heated Diesel Emission Fluid (DEF) tote blankets to help protect the fluids from low temperatures and to extend the shelf life of them. Providing a complete and even heat throughout, the tote blankets are the best way to protect your investment.

Features

- Available in 275 and 330 Gallon models
- Protected by an integrated GFCI
- Constructed of heavy-duty, rugged vinyl that is water, wear, and UV resistant
- Can be customized to your specifications and application.
- Adjustable straps for a secure and complete fit.
- Works with metal and poly totes
- Ideal for epoxies, DEF, water, chemicals, resins, rubber, etc.



- Utilizes Far Infrared Technology
- DEF Tote Systems include extended frame for the pump housing, controller, and insulated cover
- Utilizes a HeatGrid™ Heating Element
- The HeatGrid heating element increases temperature during the first 20 minutes of operation, while electrical current decreases.
- HeatGrid™ is comprised of electrode terminals that provide a rapid heat source

Model	Approx. Temp	Voltage	Wattage	Amps
330 Gallon DEF Tote System	Controlled to desired temperature	120 VAC	1440 Watts	12 Amps